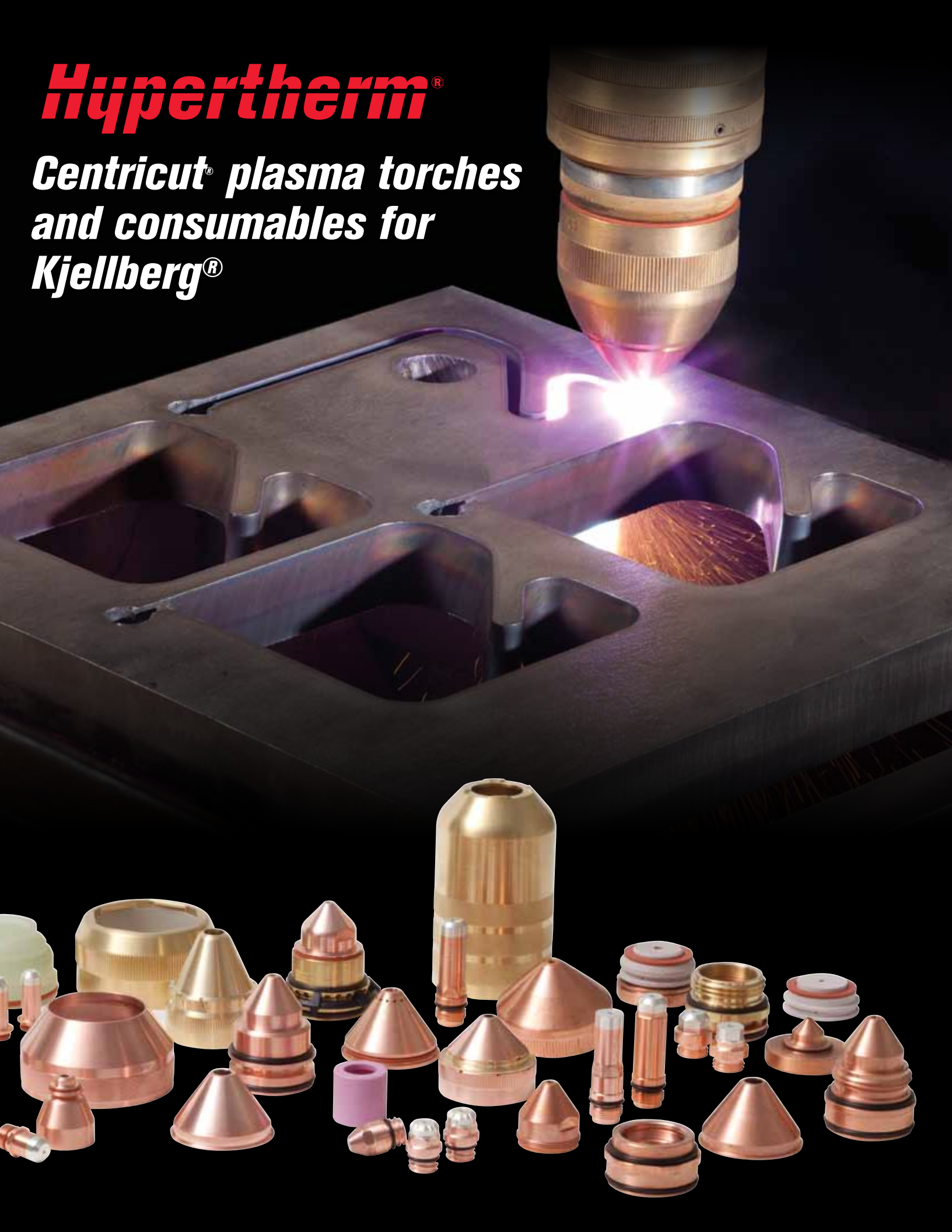


Hypertherm[®]

***Centricut[®] plasma torches
and consumables for
Kjellberg[®]***



Product is available for the following major OEM brands

AMADA®

ESAB®

KALIBURN®

KJELLBERG®

KOIKE®

KOMATSU®

LINCOLN®

THERMAL

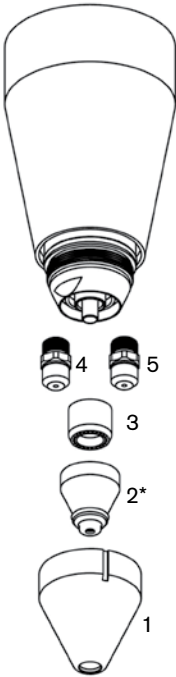
DYNAMICS®

WHITNEY®

WIEDEMANN®

OEM Kjellberg®

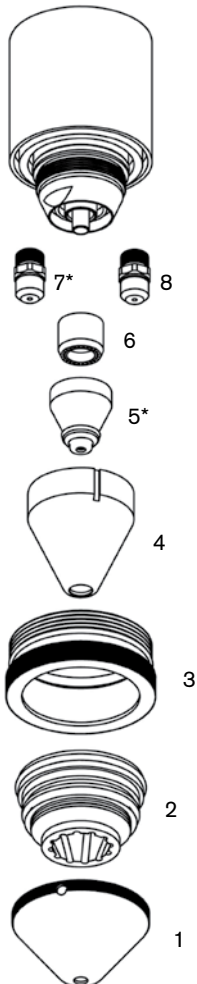
System FineFocus®800, PA-S70, PA-S75®



Consumables

Centricut part number	Reference number	Description	Pkg qty
1 C53-790	.12.37790	Nozzle cap	1
2 C53-920*	.11.828.901.420	CoolFlow™ nozzle, L1-XL, O ₂ , 160 amp	1
C53-925*	.11.828.901.425	CoolFlow nozzle, L2-XL, O ₂ , 250 amp	1
C53-927*	.11.828.901.427	CoolFlow nozzle, L4-XL, O ₂ , 300 amp	1
3 C53-860	.12.40860	Gas guide	1
4 C53-1000*	.11.828.921.300	SilverLine® electrode, K2-XL, O ₂	1
C53-870	.12.40870	Electrode, K2, Air	5
K53-500	.12.48500	Removal tool	1

* Centricut part features a unique Hypertherm design that differs from the OEM design.



PB-S77®

OEM Kjellberg®

System FineFocus®800, 900®

Consumables

Centricut part number	Reference number	Description	Pkg qty
1 K53-1156	.11.833.111.156	Swirl gas cap, 4.0	1
C53-158	.11.833.101.158	Swirl gas cap, 5.0	1
2 K53-271	.11.833.101.271	Swirl gas nozzle	1
3 K53-261	.11.833.101.261	Protective cap	1
4 C53-790	.12.37790	Nozzle cap	1
5 C53-920*	.11.828.901.420	CoolFlow™ nozzle, L1-XL, 160 amp	1
C53-925*	.11.828.901.425	CoolFlow nozzle, L2-XL, 250 amp	1
C53-927*	.11.828.901.427	CoolFlow nozzle, L4-XL, 300 amp	1
6 C53-860	.12.40860	Gas guide	1
7 C53-1000*	.11.828.921.300	SilverLine® electrode, K2-XL	1
C53-870	.12.40870	Electrode, K2	5
K53-500	.12.48500	Removal tool	1

* Centricut part features a unique Hypertherm design that differs from the OEM design.

Consumables – Carbon steel

Centricut part number	Reference number	Alternate reference	Description	Pkg qty
1 C106-081	.11.835.201.081	Z501	Protection cap	1
2 C106-561	.11.835.201.1561	Z4015	Swirl gas cap, 1.5 mm	1
C106-571	.11.835.201.1571	Z4020	Swirl gas cap, 2.0 mm	1
C106-581	.11.835.201.1581	Z4025	Swirl gas cap, 2.5 mm	1
C106-591	.11.835.201.1591	Z4030	Swirl gas cap, 3.0 mm	1
C106-171	.11.835.401.1571	Z4140	Swirl gas cap, 4.0 mm	1
5 C106-406	.11.835.221.406	Z2006	Nozzle, 0.6 mm	10
C106-407	.11.835.221.407	Z2007	Nozzle, 0.7 mm	10
C106-408	.11.835.221.408	Z2008	Nozzle, 0.8 mm	10
C106-409	.11.836.221.409	Z2009	Nozzle, 0.9 mm	10
C106-410	.11.835.221.410	Z2010	Nozzle, 1.0 mm	10
C106-411	.11.835.221.411	Z2011	Nozzle, 1.1 mm	10
C106-412	.11.835.421.412	Z2112	Nozzle, 1.2 mm	10
C106-112	.11.835.221.412	Z2012	Nozzle, 1.2 mm	10
C106-414	.11.835.421.414	Z2114	Nozzle, 1.4 mm	10
4 C106-160	.11.835.201.160	Z3004	Nozzle cap, complete, 0.4 mm	1
C106-162	.11.835.201.162	Z3008	Nozzle cap complete, 0.8 mm	1
7 C106-153	.11.835.221.153	Z101	Gas guiding cap, 0.4 mm	1
8 K106-253	.11.834.321.153	Z111	Gas guide cap	1
9 C106-303	.11.835.421.303	Z111A	Spacer	1
10 C106-1021*	.11.835.421.3101	Z012	SilverLine® electrode	1
C106-1001*	.11.835.221.3101	Z002	SilverLine electrode	1

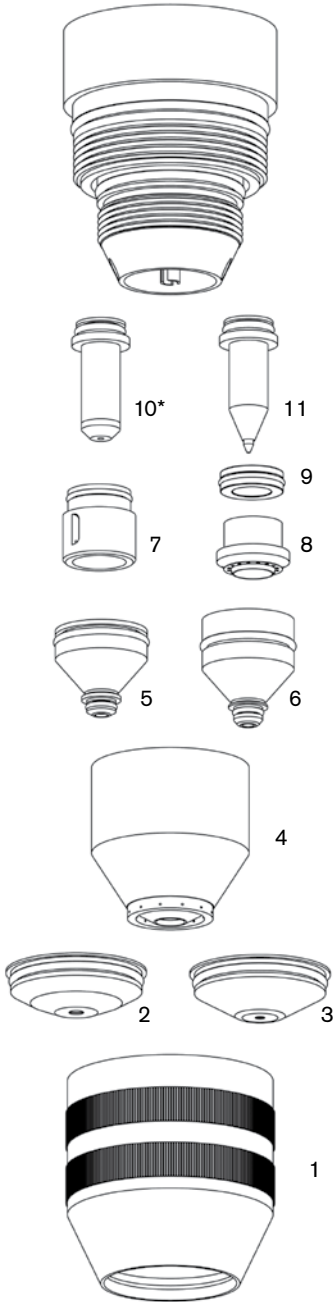
Consumables – Stainless steel and aluminum

Centricut part number	Reference number	Alternate reference	Description	Pkg qty
1 C106-081	.11.835.201.081	Z501	Protection cap	1
3 C106-1571	.11.835.411.1571	Z4520	Swirl gas cap, 2.0 mm	1
C106-1581	.11.835.411.1581	Z4530	Swirl gas cap, 3.0 mm	1
C106-1591	.11.835.411.1591	Z4540	Swirl gas cap, 4.0 mm	1
4 C106-162	.11.835.201.162	Z3008	Nozzle cap complete, 0.8 mm	1
5 C106-406	.11.835.221.406	Z2006	Nozzle, 0.6 mm	10
C106-407	.11.835.221.407	Z2007	Nozzle, 0.7 mm	10
C106-408	.11.835.221.408	Z2008	Nozzle, 0.8 mm	10
C106-410	.11.835.221.410	Z2010	Nozzle, 1.0 mm	10
6 C106-610	.11.835.411.610	Z2510	Nozzle, 1.0 mm	5
C106-612	.11.835.411.612	Z2512	Nozzle, 1.2 mm	5
C106-614	.11.835.411.614	Z2514	Nozzle, 1.4 mm	5
C106-616	.11.835.411.616	Z2516	Nozzle, 1.6 mm	5
7 C106-153	.11.835.221.153	Z101	Gas guiding cap, 0.4 mm	1
8 K106-253	.11.834.321.153	Z111	Gas guide cap	1
9 C106-303	.11.835.421.303	Z111A	Spacer	1
11 C106-101	.11.835.211.5101	Z042	Electrode	1
C106-5101	.11.835.411.5101	Z052	Electrode	1

Maintenance items

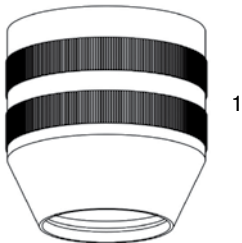
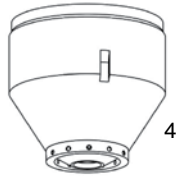
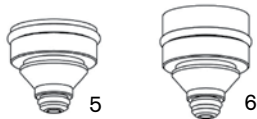
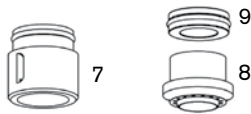
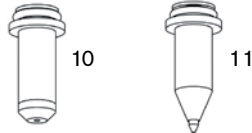
Centricut part number	Reference number	Alternate reference	Description	Pkg qty
027055	N/A		O-ring lube	1

* Centricut part features a unique Hypertherm design that differs from the OEM design.



OEM Kjellberg®

System HiFocus 130/160i® and HiFocus 280i/360i/440i



Consumables – Carbon steel

Centricut part number	Reference number	Alternate reference	Description	Pkg qty
1 C106-081	.11.835.201.081	Z501	Protection cap	1
2 C106-561	.11.835.201.1561	Z4015	Swirl gas cap, 1.5 mm	1
C106-571	.11.835.201.1571	Z4020	Swirl gas cap, 2.0 mm	1
C109-551	.11.835.201.1551	Z4022	Swirl gas cap, 2.2 mm	1
C106-581	.11.835.201.1581	Z4025	Swirl gas cap, 2.5 mm	1
C106-591	.11.835.201.1591	Z4030	Swirl gas cap, 3.0 mm	1
C106-171	.11.835.401.1571	Z4140	Swirl gas cap, 4.0 mm	1
4 K109-160	.11.842.401.160	S3004	Nozzle cap, 0.4 mm	1
C109-162	.11.842.401.162	S3008	Nozzle cap, 0.8 mm	1
K109-622	.11.842.401.1622	S3028	Nozzle cap, 0.8 mm	1
5 C109-406	.11.843.021.406	S2006X	Nozzle, 0.6 mm, 25 amp	10
C109-407	.11.843.021.407	S2007X	Nozzle, 0.7 mm, 35 amp	10
C109-408	.11.843.021.408	S2008X	Nozzle, 0.8 mm, 50/60 amp	10
C109-409	.11.843.021.409	S2009X	Nozzle, 0.9 mm, 70/80 amp	10
C109-410	.11.843.021.410	S2010X	Nozzle, 1.0 mm, 80/90 amp	10
C109-411	.11.843.021.411	S2011X	Nozzle, 1.1 mm, 90/100 amp	10
C109-112	.11.843.121.412	S2112X	Nozzle, 1.2 mm, 100 amp	10
C109-412	.11.843.021.412	S2012X	Nozzle, 1.2 mm, 100/130 amp	10
C109-414	.11.843.021.414	S2014X	Nozzle, 1.4 mm, 130/160 amp	10
C109-114	.11.843.121.414	S2114X	Nozzle, 1.4 mm, 130 amp	10
C109-416	.11.843.021.416	S2016X	Nozzle, 1.6 mm, 160 amp	10
C109-116	.11.843.121.416	S2116X	Nozzle, 1.6 mm, 160 amp	10
7 C106-153	.11.835.221.153	Z101	Gas guiding cap, 0.4 mm	1
C109-154	.11.835.221.154	Z102	Gas guiding cap	1
8 K106-253	.11.834.321.153	Z111	Gas guide cap	1
9 C106-303	.11.835.421.303	Z111A	Spacer	1
10 C109-1010*	.11.843.021.310	S002X	SilverLine® electrode, XL	1
C109-1030*	.11.843.121.310	S012X	SilverLine electrode, XL	1
K109-152	.11.842.401.152		Cooling tube	1

Consumables – Stainless steel and aluminum

Centricut part number	Reference number	Alternate reference	Description	Pkg qty
1 C106-081	.11.835.201.081	Z501	Protection cap	1
3 C106-1581	.11.835.411.1581	Z4530	Swirl gas cap, 3.0 mm	1
C109-580	.11.835.411.1580	Z4535	Swirl gas cap, 3.5 mm	1
C106-1591	.11.835.411.1591	Z4540	Swirl gas cap, 4.0 mm	1
C109-590	.11.835.411.1590	Z4545	Swirl gas cap, 4.5 mm	1
4 C109-162	.11.842.401.162	S3008	Nozzle cap, 0.8 mm	1
C109-621	.11.842.401.1621	Z3018	Nozzle cap, 0.8 mm	1
6 C109-407	.11.843.021.407	S2007X	Nozzle, 0.7 mm, 35 amp	10
C109-408	.11.843.021.408	S2008X	Nozzle, 0.8 mm, 50/60 amp	10
C109-614	.11.843.111.614	S2514X	Nozzle, 1.4 mm, 120 amp	5
C109-616	.11.843.111.616	S2516X	Nozzle, 1.6 mm, 140 amp	5
C109-618	.11.843.111.618	S2518X	Nozzle, 1.8 mm, 160 amp	5
7 C106-153	.11.835.221.153	Z101	Gas guiding cap, 0.4 mm	1
8 K106-253	.11.834.321.153	Z111	Gas guide cap	1
11 C109-510	.11.842.411.510	S042	Electrode	1
C109-1510	.11.842.511.510	S052	Electrode	1
K109-152	.11.842.401.152		Cooling tube	1

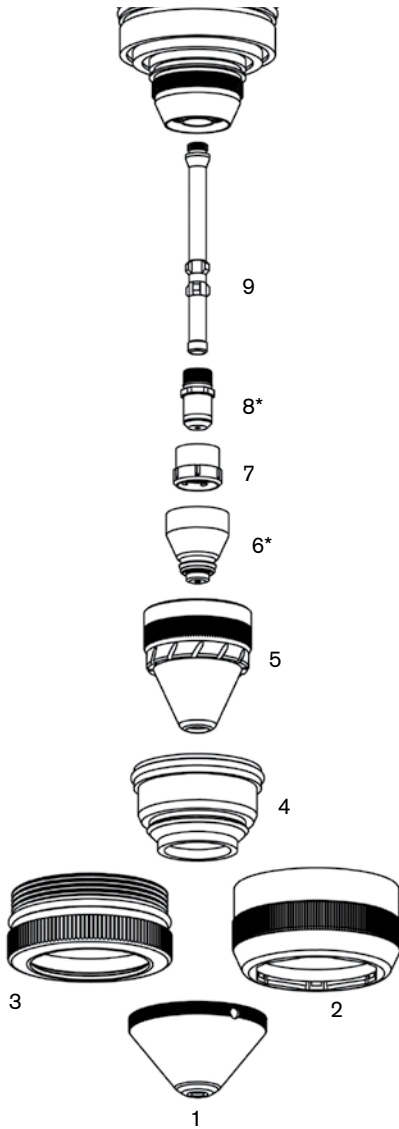
Maintenance items

Centricut part number	Reference number	Alternate reference	Description	Pkg qty
027055	N/A		O-ring lube	1

* Centricut part features a unique Hypertherm design that differs from the OEM design.

OEM Kjellberg®

System FineFocus 800 Plus, HiFocus 280i/360i/440i



Consumables – Carbon steel

Centricut part number	Reference number	Alternate reference	Description	Pkg qty
1 C117-155	.11.833.101.155	V4335	Swirl gas cap, 3.5 mm	1
C117-157	.11.833.101.157	V4345	Swirl gas cap, 4.5 mm	1
2 C117-081	.11.841.721.081	T502	Protective cap, PerCut 370.2	1
3 C53-261	.11.833.101.261	V501	Protective cap, PB-S80	1
C117-261	.11.833.121.261	V502	Protective cap, PB-S80	1
4 C117-1271	.11.833.121.271	V522	Swirl gas nozzle, PerCut 370.2	1
C117-271	.11.836.901.271	T521	Swirl gas nozzle	1
C117-0271	.11.836.921.271	T522	Swirl gas nozzle, PB-S80	1
5 C117-163	.11.836.901.163	T3030	Nozzle cap	1
C117-164	.11.836.901.164	T3045	Nozzle cap	1
C117-165	.11.836.901.165	T3060	Nozzle cap	1
6 C117-415*	.11.846.921.415	T2115Y	CoolFlow™ nozzle, 1.5 mm, 120 amp	1
C117-420	.11.846.921.420	T2120Y	CoolFlow nozzle, 2.0 mm, 200 amp	1
C117-425	.11.846.921.425	T2125Y	CoolFlow nozzle, 2.5 mm, 250 amp	1
C117-427	.11.846.921.427	T2127Y	CoolFlow nozzle, 2.7 mm, 300 amp	1
C117-430	.11.846.921.430	T2130Y	CoolFlow nozzle, 3.0 mm, 360 amp	1
7 C117-153	.11.836.921.153	T101	Gas guide	1
C117-154	.11.836.921.154	T102	Gas guide	1
C117-542	.11.836.921.1542	T104	Gas guide	1
8 C117-1300*	.11.836.921.300	T012	SilverLine® electrode	1

Maintenance items

Centricut part number	Reference number	Alternate reference	Description	Pkg qty
027055	N/A		O-ring lube	1
9 C117-152	.11.844.901.152	T902Y	Water tube	1

* Centricut part features a unique Hypertherm design that differs from the OEM design.

**New
technology
consumables**



**Technology products for ESAB[®],
Kjellberg[®] and Kaliburn[®]**

Hypertherm[®]

Cut with confidence™

Hypertherm, Inc.
Hanover, NH 03755 USA
603-643-3441 Tel

Hypertherm (S) Pte Ltd.
Singapore 349567
65 6841 2489 Tel

**Hypertherm (Shanghai)
Trading Co., Ltd.**
PR China 200052
86-21 5258 3330 /1 Tel

Hypertherm Europe B.V.
4704 SE Roosendaal, Nederland
31 165 596907 Tel

HYPERTHERM BRASIL LTDA.
Guarulhos, SP - Brasil
55 11 2409 2636 Tel

www.hypertherm.com



Hypertherm and Centricut are registered trademarks of Hypertherm, Inc. and may be registered in the United States and/or other countries. All other trademarks are the properties of their respective owners.