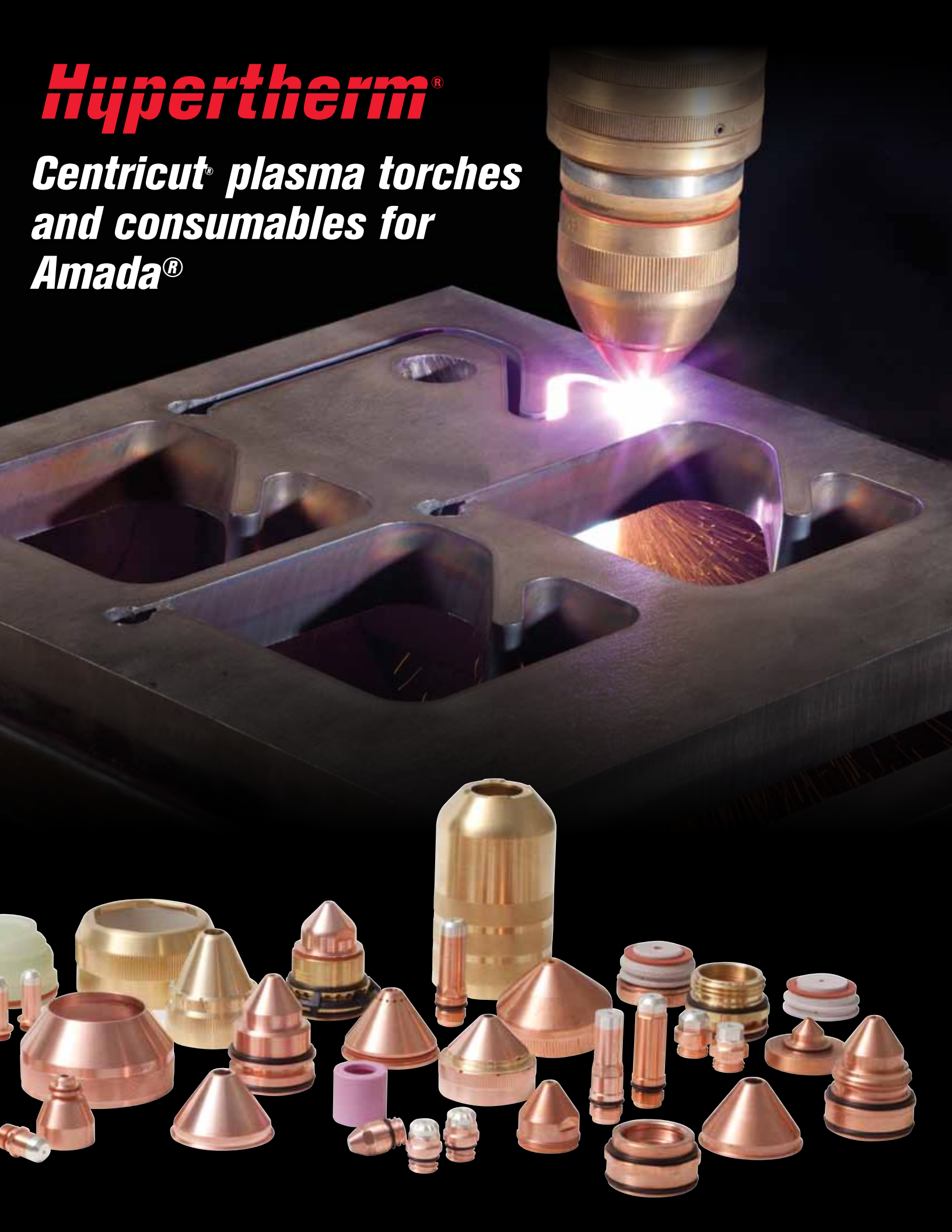


Hypertherm[®]

***Centricut[®] plasma torches
and consumables for
Amada[®]***



Product is available for the following major OEM brands

AMADA®

ESAB®

KALIBURN®

KJELLBERG®

KOIKE®

KOMATSU®

LINCOLN®

THERMAL

DYNAMICS®

WHITNEY®

WIEDEMANN®

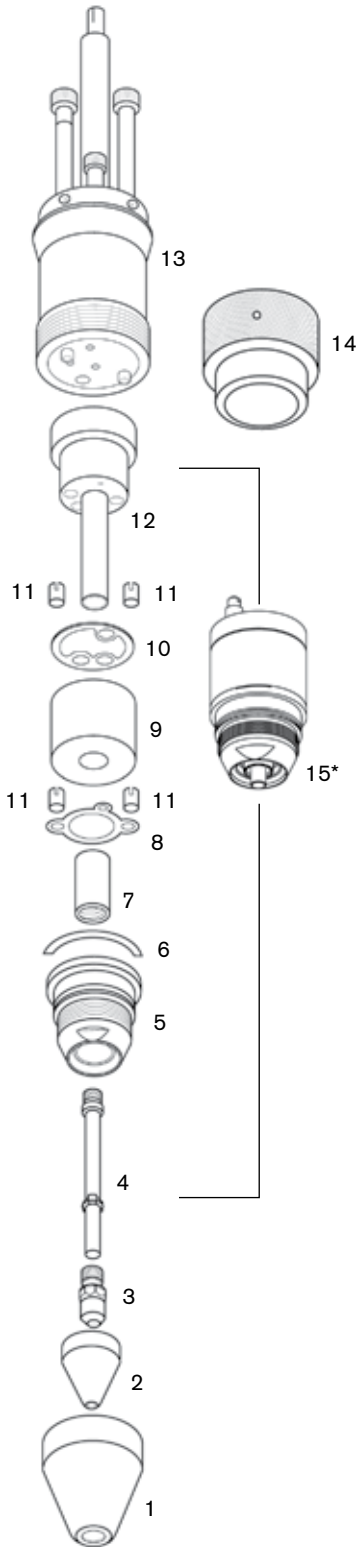
Consumables

Centricut part number	Reference number	Description	Pkg qty
1 C14-332	74172324	Nose piece	1
2 C14-330	74172325	Nozzle, Air, .063, 150 amp	5
C14-331-S	648-331	Nozzle, Air, .098	5
C14-731	N/A	Nozzle, Air, .110	5
3 C14-328	N/A	Electrode, Air, 150 amp	5
C14-927	74172326	Electrode, without o-ring, Air, 250 amp	5
C14-327	74172326	Electrode, with o-ring, Air, 250 amp	5

Maintenance items

Centricut part number	Reference number	Description	Pkg qty
4 C14-794	74172327	Circulating tube, water tube	1
5 C14-280	74172301	Nozzle holder	1
6 C14-282	74172303	Gasket spacers	2
7 C14-281	74172302	Gas guide ring	1
8 C14-286	74172307	Lower gasket	5
9 C14-959	74172308	Insulating spacer	1
10 C14-288	74172309	Cathode holder pkg, middle gasket	5
11 C14-285	74172306	Hole guides	5
12 C14-960	74172310	Manifold	1
C14-283	74172304	O-ring seal	5
C14-284	74172305	O-ring	5
C14-010	N/A	O-ring	5
C14-793	74172311	O-ring, rear manifold	4
13 C14-964	74172314	Upper body	1
C14-866	649-966	Torch tube cover	1
14 C14-961	74172328	Head cover assembly	1
C14-963	74172313	High frequency pin	1
C14-962	74172312	High frequency socket	1
C14-765	649-765	One touch torch	1
15 C14-118*	N/A	Lower torch body assembly (includes items 4 – 12)	1
027055	N/A	Lubricant .25 oz. (7 ml) tube	1

* Centricut part features a unique Hypertherm design that differs from the OEM design.





**Technology products for ESAB[®],
Kjellberg[®] and Kaliburn[®]**

Hypertherm[®]

Cut with confidence™

Hypertherm, Inc.
Hanover, NH 03755 USA
603-643-3441 Tel

Hypertherm (S) Pte Ltd.
Singapore 349567
65 6841 2489 Tel

**Hypertherm (Shanghai)
Trading Co., Ltd.**
PR China 200052
86-21 5258 3330 /1 Tel

Hypertherm Europe B.V.
4704 SE Roosendaal, Nederland
31 165 596907 Tel

HYPERTHERM BRASIL LTDA.
Guarulhos, SP - Brasil
55 11 2409 2636 Tel

www.hypertherm.com



Hypertherm and Centricut are registered trademarks of Hypertherm, Inc. and may be registered in the United States and/or other countries. All other trademarks are the properties of their respective owners.